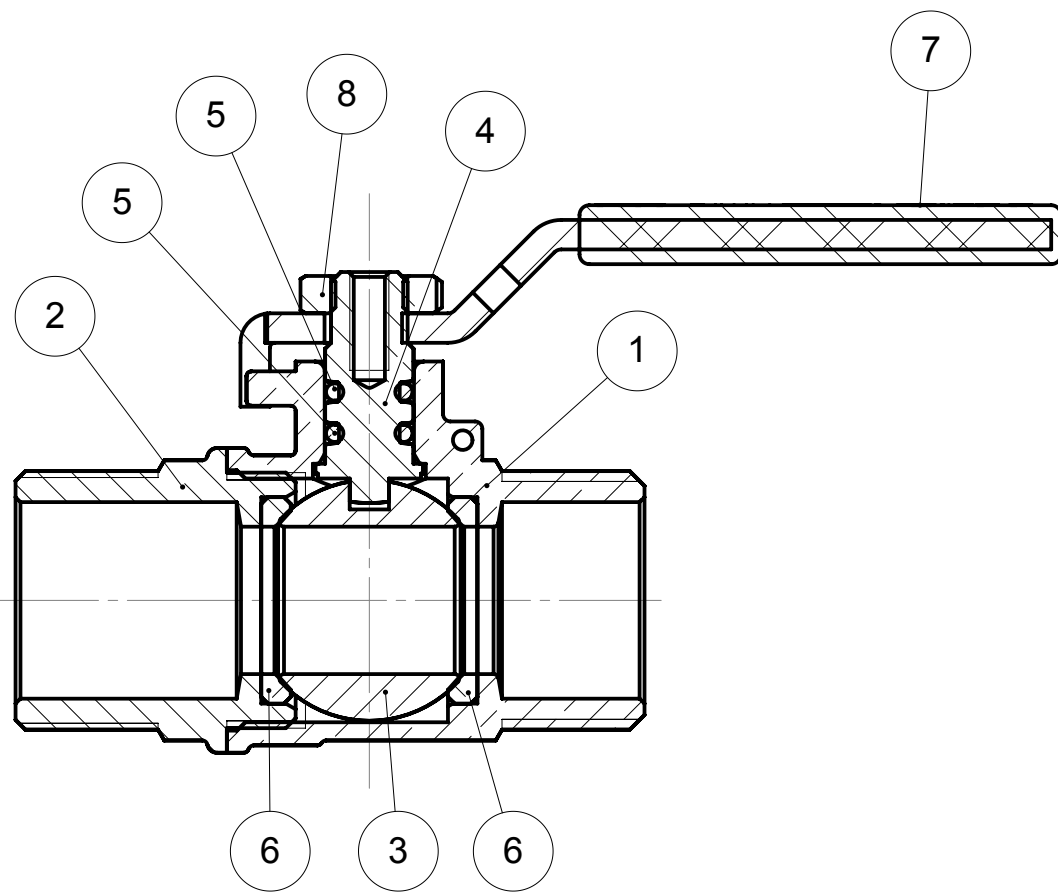


ART.8307	
<i>Brass ball valve, reduced port, M-M, steel handle, Mis. from 1/2" to 1"1/4</i>	
SPECIFICATION	
Series	8307
Thread ends	Male-Male: ISO 228/1
Orifice	from 10 to 25 mm
Actuator	90° Rotation with mechanical stop
Operator	Steel handle
APPLICATION	
Assembly in rigid pipe system	
Nominal pressure (PN) in bar: MOP5	
KV: flowrate coefficient m ³ /h	
Direction of flow: as desired	
Temperature range: -20 °C / +60 °C	
Use: Gas	



N°	Descrizione	Description	Materials	Treatment	Q.ty
1	Corpo	Body	CW617N		1
2	Manicotto	End connection	CW617N		1
3	Sfera	Ball	CW617N	Ni+Cr	1
4	Perno	Stem	CW614N		1
5	O-Ring	O-Ring	NBR70sh		2
6	Guarnizione	Ball seal	PTFE		2
7	Leva	Handle	STEEL	Printed	1
8	Dado	Nut	STEEL	Zinc Plated	1

Denominazione particolare / Name Valvola a sfera, passaggio ridotto, M-M, con leva in acciaio		Disegnato / Designed by Pedretti Walter		Formato / Format A3		Grezzo / Forged Code Quote senza indicazione di tolleranza: MEDIA UNI-ISO 2768/1	
Materiale / Material		Data / Date 25/11/2011		Scala / Scale 1:1		Lavorato / Finished Code Rugosità Generale $\sqrt{3.2}$ ($\sqrt{0.7}$) General Roughness	
Tratt. Superficiale / Surface Treat.		Tratt. Termico / Thermal Treat.		Serie / Project N° 8307		Foglio / Tab. 1/1	
N° Disegno / Drawing Nr. 8307		Revisione / Revision -		Peso / Weight -		Misura / Size g 1/2"-1"1/4	
				BUGATTI VALVOSANITARIA		UFFICIO TECNICO	

DN	G	A	B	C	D	Ch1	Ch2	PN
10	1/2"	55	37.5	71	12	21	23	MOP5
15	3/4"	64	40.5	71	15	27	27	MOP5
20	1"	73.5	44.5	89.5	16	34	34	MOP5
25	1"1/4	85.5	48.5	112	17	42	44	MOP5